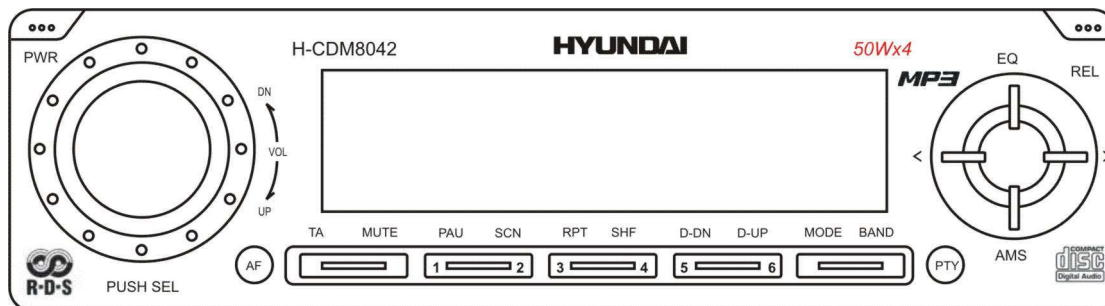


HYUNDAI

H-CDM8042



CD/MP3/WMA RECEIVER
Instruction manual

CD/MP3/WMA РЕСИВЕР
Руководство по эксплуатации

Dear customer!

Thank you for purchasing our product. For safety, it is strongly recommended to read this manual carefully before connecting, operating and/or adjusting the product and keep the manual for reference in the future.

Table of contents

Table of contents	2
Important safeguards	3
Installation/ connection	4
Panel controls	9
General operation.....	12
Digital tuner	15
CD operations	18
MP3 operation	19
MP3 overview	21
Anti-theft system	22
Handling discs	23
Cleaning	23
Troubleshooting guide	24
Specification	25

Important safeguards

- Using the device at temperature below -10°C may cause the breakage of the device. **BEFORE USING PLEASE HEAT UP THE PASSENGER COMPARTMENT TO THE RECOMMENDED TEMPERATURE!**
- Read carefully through this manual to familiarize yourself with this high-quality sound system.
- Disconnect the vehicle's negative battery terminal while mounting and connecting the unit.
- When replacing the fuse, be sure to use one with an identical amperage rating. Using a fuse with a higher amperage rating may cause serious damage to the unit.
- DO NOT attempt to disassemble the unit. Laser beams from the optical pickup are dangerous to the eyes.
- Make sure that pins or other foreign objects do not get inside the unit; they may cause malfunctions, or create safety hazards such as electrical shock or laser beam exposure.
- If you have parked the car for a long time in hot or cold weather, wait until the temperature in the car becomes normal before operating the unit.
- DO NOT open covers and do not repair yourself. Consult the dealer or an experienced technician for help.
- Make sure you disconnect the power supply and aerial if you will not be using the system for a long period or during a thunderstorm.
- Make sure you disconnect the power supply if the system appears to be working incorrectly, is making an unusual sound, has a strange smell, has smoke emitting from it or liquids have got inside it. Have a qualified technician check the system.
- The unit is designed for negative terminal of the battery, which is connected to the vehicle metal. Please confirm it before installation.
- Do not allow the speaker wires to be shorted together when the unit is switched on. Otherwise it may overload or burn out the power amplifier.
- Do not install the detachable panel before connecting the wire.
- Don't remove the detachable panel when encoding.

Installation/ connection

Attention:

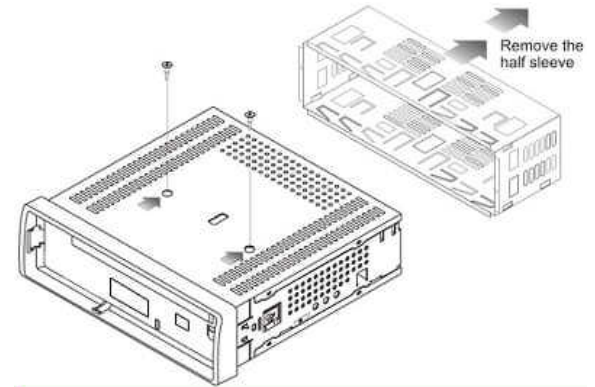
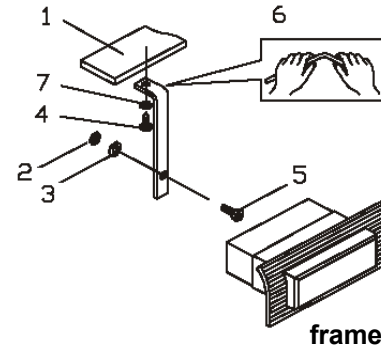
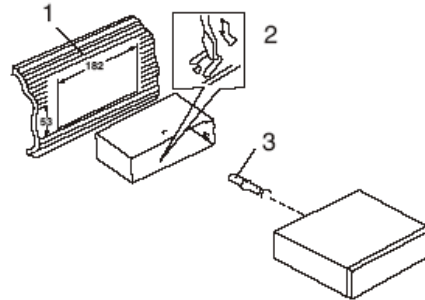
REMOVE THE TRANSPORT CD STOPPER (2 SCREWS) BEFORE USE.

Din front-mount (method 1)

- After inserting the holder into the dashboard, select the appropriate tab and bend them inwards to secure the holder in place.
- Insert fingers into the groove in the front of frame and remove it.
- Insert the levers supplied with the unit to the grooves at both sides.

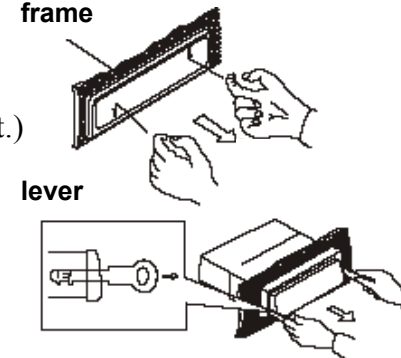
The unit can be installed or removed from the dashboard.

1. Dashboard
2. Nut (5mm)
3. Spring washer
4. Screw (5 x 25mm)
5. Screw
6. Strap
7. Plain washer



Removing the unit

- Insert fingers into the groove in the front of frame and pull out to remove the frame. (When reattaching the frame, point the side with a groove down wards and attach it.)
- Insert the levers supplied with the unit into the grooves at both sides of the unit as shown in figure until they click. Pulling the levers makes it possible to remove the unit from the dashboard.



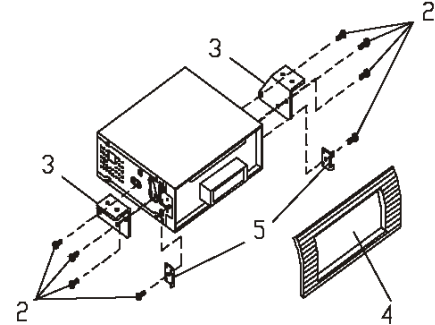
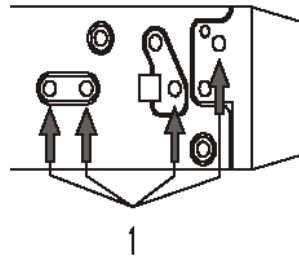
Din rear-mount (method 2)

Installation using the screw holes at both sides of the unit.

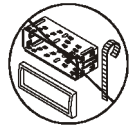
1. Select a position where the screw holes of the main unit are fitted for aligned, and tighten the screws at 2 positions at each sides.

Use either truss screws (5 x 8mm) or flush surface screws (4 x 8mm), depending on the shape of the screw holes in the bracket.

2. Screw.
3. Factory radio mounting bracket.
4. Dashboard or Console.
5. Hook (Remove this parts).



Note: The mounting box, outer trim ring, and the half-sleeve are not used for this method of installation.



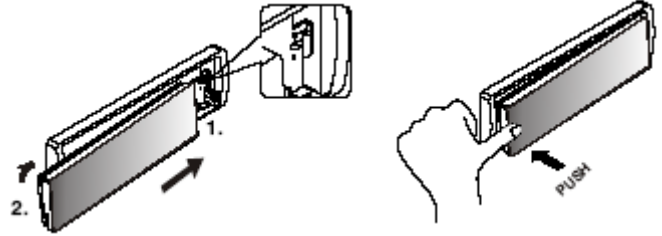
Detachable control panel

Detaching the control panel

- Turn the Power off.
- Press the release button to open the panel.
- To remove the control panel, take the panel and place it under 45⁰ according to the unit. Then draw out the panel.

Attaching the control panel

- Place the panel under 45° according to the main unit.
- Put the right side of the panel into the unit by entering the panel of right side and pushing of panel.
- Then place the panel under 45° according to the main unit and push the left side until it clicks.



Caution:

DO NOT insert the control panel from the left side. It can damage the control panel.

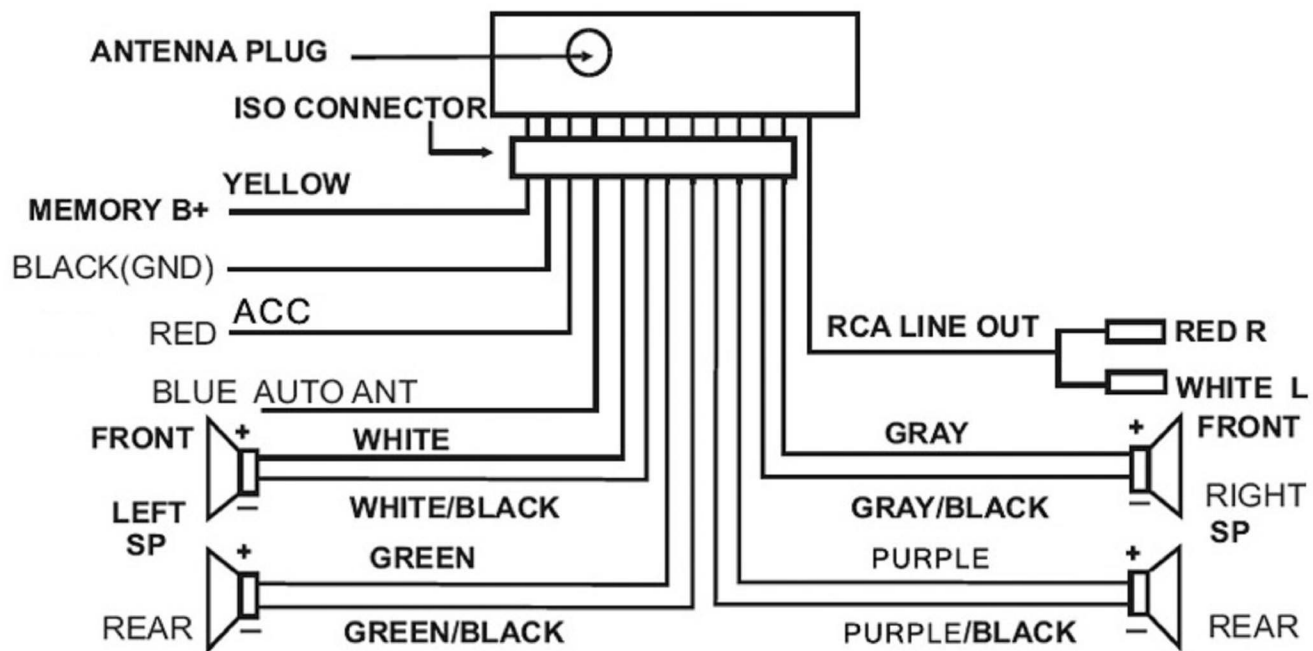
The control panel can easily be damaged by shocks. After removing it, place it in a protective case and be careful not to drop it or subject it to strong shocks.

The rear connector that connects the main unit and the control panel is an extremely important part. Be careful not to damage it by pressing on it with fingernails, pens, screwdrivers, etc.

Note:

If the control panel is dirty, wipe off the dirt with soft, dry cloth only. And use a cotton swab soaked in isopropyl alcohol to clean the socket on the back of the control panel.

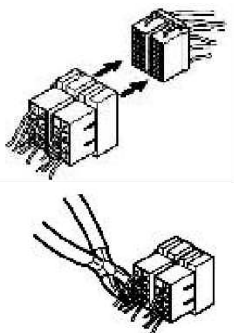
Electrical connection



Do not interchange the connection of the wiring!!!

For some car models you may need to modify wiring of the supplied power cord. Contact your authorized car dealer before installing this unit.

Using the ISO Connector



1. If your car is equipped with the ISO connector, then connect the ISO connectors as illustrated.

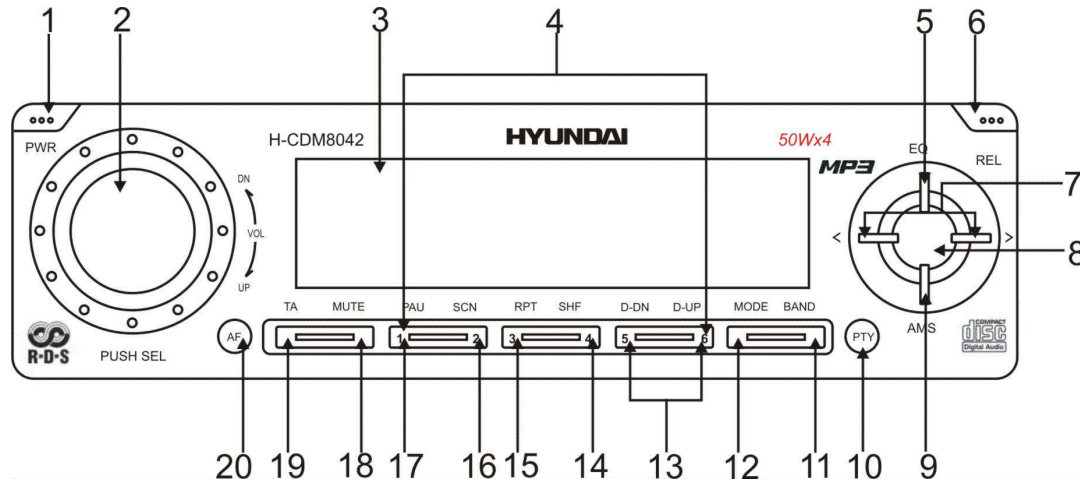
2. For connections without the ISO connectors, check the wiring in the vehicle carefully before connecting, incorrect connection may cause serious damage to this unit.

Cut the connector, connect the colored leads of the power cord to the car battery as shown in the color code table below for speaker and power cable connections.

Location	FUNCTION	
	Connector A	Connector B
1		Rear Right(+)--Purple
2		Rear Right(--Purple/Black Stripe
3		Front Right(+)--Gray
4	Battery 12V (+)/yellow	Front Right(--Gray/Black Stripe
5	Auto Antenna/blue	Front Left(+)--White
6		Front Left(--White/Black Stripe
7	ACC+/red	Rear Left(+)--Green
8	Ground/black	Rear Left(--Green/Black Stripe

Panel controls

Front panel

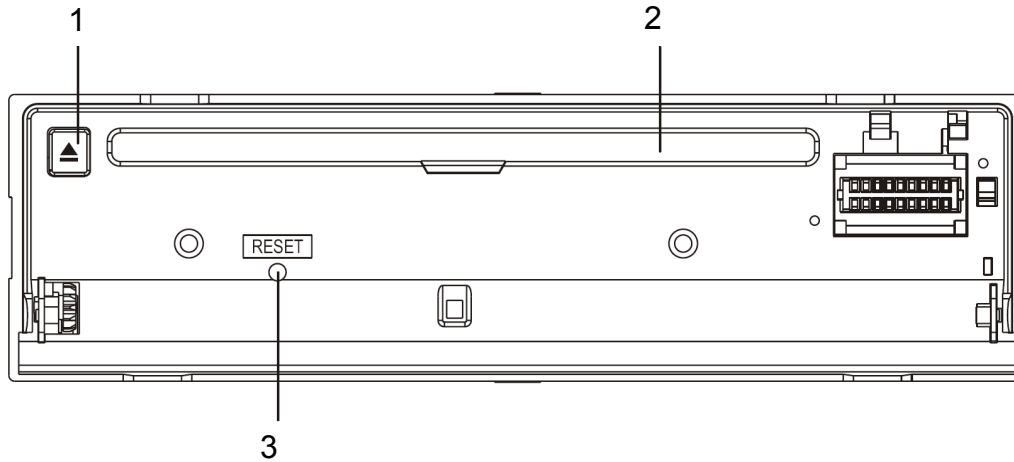


1. PWR button
Press PWR button to turn the power on, press again to turn the power off.
2. VOL knob/ SEL button
Rotate VOL knob clockwise to increase the volume level; rotate anticlockwise to decrease the volume level.
Press SEL button once to enter the Audio select menu. Press it repeatedly to select the modes:
VOLUME => BASS => TREBLE => BALANCE => FADER.
Press the SEL button and hold for 2 seconds to enter the Advanced RDS settings.
3. LCD (LIQUID CRYSTAL DISPLAY)
4. PRESET STATION [1-6] buttons

5. EQ button
6. RELEASE button
Press it to detach the front panel.
7. TUNE/TRACK SEEK REW/FW buttons
8. DISP button
9. AMS button
10. PTY button
11. BAND button
Press it repeatedly to select your desired radio band during TUNER mode.
12. MODE button
Press to select the mode: CD => TUNER.
13. D-UP/ D-DN buttons
Use these buttons to enter the manual tuning mode/ seek tuning mode.
14. SHF button
Press to start shuffle playback
15. RPT button
Use this button to play current track repeatedly.
16. SCAN button
17. PAUSE button
Use this button to pause playback. Under the pause status, press it to play.
18. MUTE button
Press it to cut down the volume output, press it again to resume volume.
19. TA button
Press it to activate the TA function.
20. AF button
Press it to enter the AF mode.

Back of the front panel

Press the RELEASE button on the front panel to flip it down.



1. EJECT button
2. Disc slot
3. RESET button

Note: Pressing the RESET button will erase the clock setting and stored stations.
Panel status indicator lights up when you slide the panel down; flashes when you remove the panel.

General operation

Reset the unit

Operating the unit for the first time or after replacing the car battery, you must reset the unit.

Press RELEASE button on the panel to open the panel and press the RESET button with thin hard object to restore the unit to the original factory settings.

Power button

Press any button except REL to turn the unit on. Press and hold PWR button to switch the unit off.

Note: After the unit is off, the volume level and radio current settings will be memorized, and when you turn the unit on it will resume the stored status which you set.

Volume control

Volume adjust

Rotate the VOL knob on the panel to adjust the volume level.

Setting the sound characteristics

Press shortly and repeatedly the SEL button to select the audio setting: VOLUME => BASS => TREBLE => BALANCE => FADER. Rotate the VOL knob to regulate each setting.

Setting other characteristics

During FM mode, keep pressing SEL button for 2 seconds to enter Advanced RDS setting menu. Shortly and repeatedly press the SEL button to select the setting: TA => PI => RETUNE => MASK => BEEP.

a) TA SEEK or TA ALARM

-TA SEEK mode:

When TP information gets lost at the current station for retune time which is set by RETUNE SHORT (30sec.) or RETUNE LONG (90sec), the radio start to retune to next same PI station.

-TA ALARM mode: When TP information gets lost at the current station, beeps will be heard.

b) PI SOUND or PI MUTE

In some countries, there is a possibility of having 2 different stations with same frequencies but different PI (Program Identification Code). If PI SOUND is selected, radio will switch to the new PI station for few seconds before switch back to current PI station. If PI MUTE is selected, radio will mute when a new PI station is received.

c) RETUNE L or RETUNE S

When PI information is not caught for retune time, the radio starts to retune to next same PI station.

-RETUNE L mode: Retune time selected as 90 seconds.

-RETUNE S mode: Retune time selected as 30 seconds.

d) MASK DPI or MASK ALL

-MASK DPI mode: Masked only the AF which has different PI.

-MASK ALL mode: Masked the AF which has different PI and any other interfering non PI station which having the same transmitting frequency.

e) Option for Beep level

-Beep OFF: No beep will be heard when pressing of any buttons.

-Beep 2ND: Beep sound will be heard with any long press function.

-Beep ALL: Beep will be heard when pressing any button.

Turning the sound off

Press the MUTE button to turn the sound off. Press it again to turn the sound on.

Mode setting

Press the MODE button repeatedly to select CD => TUNER.

If you select TUNER mode, press BAND button once or more to select: FM1, FM2, FM3(OIRT), MW1, MW 2.

DISP button

In radio mode press DISP button to view RDS clock time from the received RDS station.

In MP3 playback mode press DISP button repeatedly to see the following information:

CLOCK => ID3 TAG => Radio frequency => PTY

Equalizer

Press EQ button to turn on DSP function. There are 5 modes as below:

FLAT => CLASSIC => POP M => ROCK M => DSP OFF

Loudness

Press BAND button for 2 seconds to reinforce the bass output and display will show LOUD ON. Press it again for 2 seconds to cancel.

Digital tuner

Note: RDS (Radio Data System) service availability varies with areas. Please understand if RDS service is not available in your area, the following service is not available, either.

Band selection

Press PWR to power on, then press the MODE button to select TUNER.
Press BAND once or more to select: FM1, FM2, FM3(OIRT), MW, LW.

Manual/ automatic tuning

- Manual tuning: press TUNE/SEEK buttons for 2 seconds to enter manual tuning. The MANUAL appears on the display.
- Automatic tuning: press TUNE/SEEK buttons to activate the automatic search. It will play when it finds the station. AUTO will appear on the display.

Programming tuner stations

You can store up to a total of 30 radio stations in the memory (18 FM, 12 AM), manually or automatically.

- To store a station:
 - Select a band (if needed)
 - Select a station by TUNE/SEEK buttons
 - Hold a Preset button (1-6) which you want to store the station for at least 2 seconds.
- To recall a station:
 - Select a band (if needed)
 - Press a Preset button (1-6) briefly to recall the stored station

OR:

During radio mode press the TUNE/SEEK buttons to select upward or downward stored stations.

AMS function (Auto Memory Store)

- Preset scan: press AMS button to scan all preset stations in the memories of the current band and stay on each memory stations for about 5 seconds. The memory location indicator on the LCD will flash during the process. To stop preset scan, press AMS button again.
- Auto memory store: press AMS button for more than 2 seconds to enter auto store mode. The radio will automatically store 6 stations to the 6 preset memories of the current band. To stop auto store, press AMS button again.

AF function (Alternative Frequencies)

- AF mode: Press AF button shortly to turn on or turn off the AF function. If the AF function is on the display will show “AF”. When AF switching mode is selected, but RDS information is not received yet the “AF” will be flashing.
The RDS program will be automatically searched and received. After turning on, if the RDS signal is weak or even no signal, the unit will search another frequency with this RDS program.
Default setting is ON.
- Region mode: Press and hold AF button for 2 seconds, the unit will be under REGION ON or REGION OFF mode:
 - REGION ON: PI code will be searched during AF searching. The display will show “REGION ON”.
 - REGION OFF: PI code and covered area will not be searched.

PTY (Program Type) function

1. Press PTY button to select program type: PTY music => PTY speech => PTY off.
2. Then press the number buttons, you can select the music program style.
3. Press PTY the second time, then press the number buttons, you can select the language program style.

To choose the desired program style use the following table:

Button Number	Music Group	Speech Group
1	POP, ROCK	NEWS, AFFAIRS, INFO
2	EASY, LIGHT	SPORT, EDUCATE, DRAMA
3	CLASSICS,	CULTURE, SCIENCE, VARIED
4	JAZZ, COUNTRY	WEATHER, FINANCE, CHILDREN
5	NATION, OLDIES	SOCIAL, RELIGION, PHONE IN
6	FOLK	TRAVEL, LEISURE, DOCUMENT

4. Press PTY button for the 3rd time to switch the PTY function off.

TA (Traffic Alarm) function

Press the TA button shortly to select TA ON or TA OFF mode. In TA mode (LCD shows TA) traffic program will be automatically searched, until the program is received. If it's not the TP icon will appear on the display. If there is no RDS signal the TP icon will be blinking.

Long press on TA button allows ON/OFF selection of TA LOCAL/TA DISTANT mode.

TA LOCAL will only allow traffic announcement from strong station to come through.

TA DISTANT (RDS TA DX) selection will allow all received announcements to interrupt CD play or radio listening.

CD operations

Loading a disc

1. Turn the power on.
2. Press the RELEASE button on the panel.
3. Insert the disc with the printed side facing upward into the slot.
4. Press EJECT button on the inner side to eject the disc.

Playing/ pausing

When the disc has been already loaded, the playback of the first track starts automatically.

To ensure good system performance, wait until the unit finishes reading the disc information before proceeding. Press the PAUSE button to pause the playback. Press again to resume the playback.

Playing the previous/ next track

1. During playback press the D-DN button on the panel to play the previous track.
2. Press the D-UP button on the panel to play the next track.

Scanning (intro)

You can play the beginning of every track for 10 seconds in sequence. Press the SCN button shortly to start intro play of tracks.

Repeat playback

Press the RPT button shortly to repeat current track. Press again to stop.

Random playback

During disc playback, press the RDM button to play all tracks on the disc in random order. Press again to cancel.

Playing a CD-R

Depending on the type of CD-R CD, surface condition of the disc, as well as the performance and condition of the CD writer, certain CD-R CD may not operate normally on this unit.

Playing a copy protected non-conforming audio CD

Due to use of copy protection schemes of some audio CDs which are non conformance to international audio CDs standards (Red Book), these type of copy protected disc(s) may not play on this unit.

MP3 operation

SELECT SONG

In MP3 operation, there are four ways to select the song: searching track directly, selected numeric key, single step selection (Press TUNE/TRACK buttons to choose songs in single step), select by album / song title.

Select by album / song title:

Press **AMS** button one time. Now you can enter text-string of up to 16 characters of the desired song title by using encoder rotary knob or other navigation key to select the characters A to Z, 1 to 0, blank, +, -, _.

KEY Assigned in Searching mode

AMS	Mode select
BAND	Enter
M1	A, B, C, 1
M2	D, E, F, 2
M3	G, H, I, 3
M4	J, K, L, 4
MS	M, N, 0, 5/Directory D/W
M6	P, O, R, 6 /Directory UP
MODE/PTY	S, T, U, 7

TUN DW TA	V, W, X, 8
TUN UP/AF	Y, Z, SPACE, 9
DISPLAY/POWER	_ , -, +, 0
SEL	CHAR. SHIFT
VOL UP/DOWN (Encoder)	CHAR. SEL (A.B~ 8.9.0)

Press VOL button to confirm entry of each characters.

Press BAND button to start the title search.

The display will list all characters related song titles from disc, select the wanted title by encoder rotary knob.

Press BAND button to confirm and start the play.

Use encoder rotary knob to list all songs under this album and select the title.

Press BAND button to confirm and start the play.

Repeat the above steps if the newly selected title is again an album.

Select by Directory or Album:

Press MODE button two times, display will list all available albums and songs. Select the desired album/songs by using encoder rotary knob and BAND button to confirm. If the selected title is a song, it starts to play.

If the selected title is an album name, display will show ("), then use encoder rotary knob to list all songs under this album and select the title.

Press BAND button to confirm and start the play.

Repeat the above steps if the newly selected title is again an album.

N.B.: The head unit able to play multilevel directory/album .

Enter & Return of directory /album

Whenever the display show ("), press BAND Button allow user to exit or return to the previous directory level.

MP3 overview

Notes on MP3:

- MP3 is short for MPEG Audio Layer 3 and refers to an audio compression technology standard.
- This product allows playback of MP3 files on CD-ROM, CD-R or CD-RW discs.
- The unit can read MP3 files written in the format compliant with ISO 9660. However it does not support the MP3 data written by the method of packet write.
- The unit can not read an MP3 file that has a file extension other than “.mp3”.
- If you play a non- MP3 file that has the “.mp3” extension, you may hear some noise.
- In this manual, we refer to what are called “MP3 file” and “folder” in PC terminology as “track” and “album”, respectively.
- Maximum number of directory level is 8, including the root directory. Maximum number of files and folders per disc is 256.
- The unit may not play tracks in the order of Track numbers.
- The unit plays only the audio tracks if a disc contains both audio tracks and MP3 files.
- When playing a disc of 8 kbps or “VBR”, the elapsed playing time in the display window will not be correct and also the intro play may not function properly. “VBR”: Variable Bit Rate.

Notes on creating your own CD-R or CD-RW containing MP3 files:

- To enjoy high quality sound, we recommend converting to MP3 files with a sampling frequency of 44.1 kHz and a fixed bit rate of 128 kbps.
- DO NOT store more than 256 MP3 files per disc.
- For ISO 9660 - compliant format, the maximum allowable depth of nested folders is 8, including the root directory (folder).
- When CD-R disc is used, playback is possible only for discs, which have been finalized.

- Make sure that when MP3 CD-R or CD-RW is burned that it is formatted as a data disc and NOT as an audio disc.
- You should not write non-MP3 files or unneeded folders along with MP3 files on the disc otherwise it takes a long time until the unit starts to play MP3 files.
- With some CD-R or CD-RW media, data may not be properly written depending on its manufacturing quality. In this case, data may not be reproduced correctly. High quality CD-R or CD-RW disc is recommended.
- Up to 16 characters are displayed for the name of an Album or a Track. ID3TAG version 1.x is required.
- Note that the unit may not play Tracks in the order that you wrote them to the disc.

Anti-theft system

Remove the panel

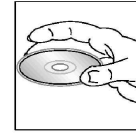
1. Press PWR button to switch off the power of the unit.
2. Press RELEASE button to flip down the panel.
3. Hold the middle of the panel. Take off one end, and then take off the other end.
4. Place the panel into the case and take it with you when you leave the car.

Remove the unit

1. Remove the panel and the trim plate.
2. Insert both T-Keys into hole on the front of the set until they lock.
3. Pull out the unit.

Handling discs

- Dirty, scratched or warped discs may cause skip ping or noise.
- Handle the disc only by the edges. To keep clean do not touch its surface.
- Discs should be stored in their cases after use to avoid scratches.
- Do not expose discs to direct sunlight, high humidity, high temperature or dust.
- Prolonged exposure to extreme temperature can warp the disc (such as leaving the discs in your car during summertime).
- Do not stick or write anything on either side of disc. Sharp writing instruments, or the inks used in some felt-tip pens, may damage its surface.
- DO NOT touch the unlabeled side. DO NOT attach any seal, label or data protection sheet to either side of a disc.



Cleaning

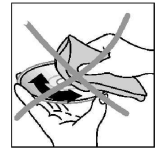
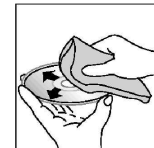
Cleaning the cabinet

Wipe with a soft cloth. If the cabinet is very dampen (not dropping wet) the cloth with a weak solution of soapy water, and then wipe clean.

Cleaning discs

Fingerprints should be carefully wiped from the surface of disc with a soft cloth. Unlike conventional records, compact discs have no grooves to collect dust and macroscopic dirt, so gently wiping them with a soft cloth should remove most panicles. Wipe in a straight motion from the center to the edge.

Never use thinner benzine, record cleaner or anti static spray on a compact disc. Such chemicals can damage its plastic surface.



Troubleshooting guide

Symptom	Cause	Solution
General No power	The car ignition is not on. The fuse is blown.	If the power supply is properly connected to the car accessory switch the ignition key to "ACC". Replace the fuse.
Disc Disc cannot be loaded.	Presence of disc inside the player.	Remove the disc in the player then put a new upward.
Disc cannot be read.	Inserting the disc in upside down. Compact disc is extremely dirty or defective. Temperature inside the car is too high.	Insert the compact disc with the label facing upward. Clean the disc or try to play a new one. Cool off until the ambient temperature returns to normal.
No sound	Volume is in minimum. Wiring is not properly connected.	Adjust volume to a desired level. Check wiring connection.
The operation keys do not work.	The built-in microcomputer is not operating properly due to noise. Front panel is not properly fix into its place.	Press the RESET button. Reinstall the front panel.
Sound skips.	The installation angle is more than 30 degrees. The disc is extremely dirty or defective.	Adjust the installation angle to less than 30 degrees. Clean the compact disc/try to play a new one.
The radio does not work, the radio station automatic selection does not work.	The antenna cable is not connected the signals are too weak.	Insert the antenna cable firmly select a station manually.

Specification

General	
Power supply:	12 V DC
Current consumption:	max. 15 A
Maximum power output:	50 W x 4 channels
Dimensions (L x W x H):	178 x 175 x 50 mm
Working temperature range:	-10°C - +60°C
FM Stereo Radio	
Frequency range:	65 – 74 / 87.5 - 108.0 MHz
Usable sensitivity (S/N = 30 dB):	10 dB
Preset memory stations:	18
MW and LW section	
Frequency range:	522 kHz - 1620 kHz
Preset memory stations:	12
Audio specification	
Maximum output:	2 Vrms (+/- 3 dB)
Frequency response:	20 Hz - 20 KHz
S/N ratio(A-vtd):	> 65 dB
DSP sound effect:	Classic, Rock, Pop, Flat
Line out	
Output:	CD max 2000 mV

Specifications are subject to change without notice. Mass and dimension are approximate.

Уважаемый покупатель!

Благодарим Вас за покупку нашего изделия. Для обеспечения безопасности рекомендуется тщательно изучить настоящее руководство перед подключением, эксплуатацией и/или регулировкой изделия, и сохраняйте руководство для использования в будущем.

Содержание

Содержание.....	26
Меры предосторожности.....	27
Установка/ подключение.....	28
Органы управления	33
Основные операции.....	36
Цифровой тюнер.....	40
Воспроизведение файлов с CD	44
Операции с MP3	46
Обзор MP3	48
Система против кражи	50
Обращение с дисками.....	51
Чистка и уход.....	52
Руководство по устранению неисправностей.....	53
Технические характеристики	54

Меры предосторожности

- Использование данного устройства при температуре ниже -10°C может привести к поломке. **ПЕРЕД ИСПОЛЬЗОВАНИЕМ ПРЕДВАРИТЕЛЬНО ПРОГРЕЙТЕ САЛОН АВТОМОБИЛЯ ДО РЕКОМЕНДОВАННОЙ ТЕМПЕРАТУРЫ!**
- Тщательно изучите настоящую инструкцию, чтобы ознакомиться с аудиосистемой.
- При установке и подключении изделия отключите отрицательную клемму аккумулятора автомобиля.
- При замене предохранителя, убедитесь, что вы устанавливаете предохранитель с тем же номиналом. Используя предохранитель с повышенным значением тока, можно причинить значительные повреждения изделию.
- Не пытайтесь разбирать изделие. Лазерные лучи, исходящие из блока оптической головки считывания информации с компакт-диска, опасны для глаз.
- Убедитесь, что шпильки или другие посторонние предметы не попали внутрь изделия. Они могут вызвать сбой в работе или стать причиной опасности, такой, как поражение электрическим током или лазерным лучом.
- Если вы ставите автомобиль на стоянку на длительное время в жаркое или холодное время года, подождите, пока температура в автомобиле не станет нормальной, перед тем как включать изделие.
- НЕ открывайте крышки и не проводите ремонт самостоятельно. Обратитесь к дилеру или квалифицированному персоналу
- Убедитесь, вы отключаете источник питания и антенну, если вы не будете пользоваться системой в течение длительного времени или во время грозы.
- Убедитесь, что вы отключаете источник питания, если обнаружена неправильная работа системы, система издает необычные звуки, запах, выделяет дым или внутрь ее попала жидкость. Проведите квалифицированный технический осмотр системы.
- Прибор разработан так, чтобы отрицательный вывод аккумулятора был подключен к корпусу транспортного средства. Пожалуйста, убедитесь в этом перед установкой.
- Не позволяйте проводам динамиков касаться друг друга при включении прибора. В противном случае, может быть перегружен или выйти из строя усилитель питания.
- Не устанавливайте съемную панель перед подключением кабеля.
- Не снимайте панель во время записи.

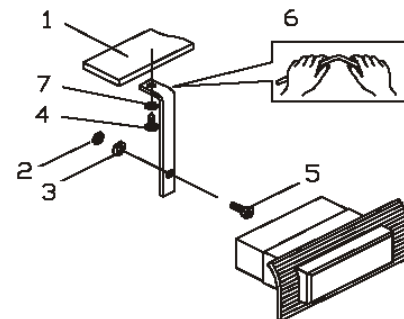
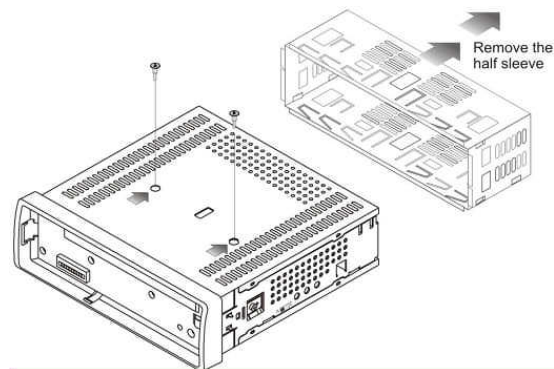
Установка/ подключение

Внимание: ПЕРЕД ПОДКЛЮЧЕНИЕМ НЕОБХОДИМО УДАЛИТЬ ДВА CD ДЕРЖАТЕЛЯ ИЗ ВЕРХНЕЙ ЧАСТИ УСТРОЙСТВА.

Первый вариант установки

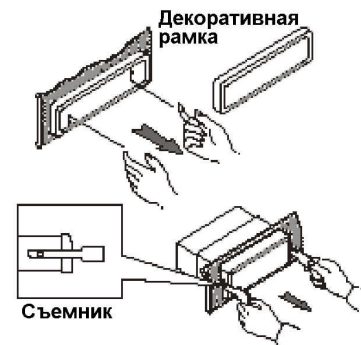
После установки кожуха авто магнитолы в приборную панель автомобиля выберите на кожухе те металлические язычки, которые соответствуют толщине приборной панели, и отогните их, чтобы зафиксировать кожух на месте.

1. Приборная панель автомобиля
2. Гайка (5 мм)
3. Пружинная шайба
4. Винт (5 x 25 мм)
5. Винт
6. Металлическая планка
7. Плоская шайба



Снятие магнитолы

- Вставьте пальцы в выемки на передней стороне рамки и вытяните рамку на себя. (При установке декоративной рамки на место направьте сторону с выемками вниз и установите рамку.)
- Вставьте съемники, входящие в комплект магнитолы, в пазы на обеих сторонах устройства, как показано на рисунке, чтобы они зафиксировались со щелчком. Для того, чтобы вынуть магнитолу из приборной панели автомобиля, потяните за съемники на себя.

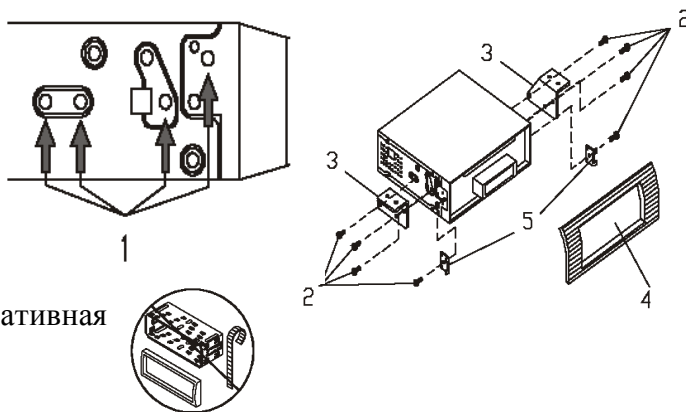


Второй вариант установки

Данный вариант установки предусматривает использование резьбовых отверстий, которые находятся на боковых панелях магнитолы.

Закрепите магнитолу на крепежных кронштейнах штатного радиоприемника.

1. Выберите положение кронштейнов, при котором будут совмещены резьбовые отверстия на кронштейнах и резьбовые соединения на корпусе магнитолы. Закрепите кронштейны с обеих сторон магнитолы не менее чем в двух местах. Для этого используйте либо крепежные винты (5 x 8 мм), либо винты с потайной головкой (4 x 8 мм), в зависимости от типа резьбовых отверстий на кронштейне.
2. Винт.
3. Крепежные кронштейны штатного радиоприемника.
4. Приборная панель или консоль автомобиля.
5. Скоба (необходимо удалить).



Примечание:

При установке магнитолы по второму методу кожух, декоративная внешняя рамка и металлическая планка не используются.

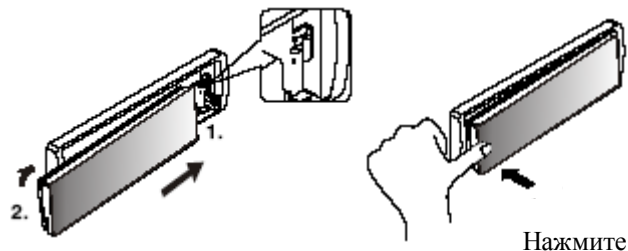
Съемная панель

Снятие съемной панели

- Выключите питание устройства.
- Нажмите на кнопку снятия панели RELEASE, чтобы откинуть панель.
- Для снятия панели расположите панель под углом 45° к корпусу, затем потяните панель по направлению к себе.

Подсоединение съемной панели

1. Держите панель так, чтобы она находилась под углом 45° к корпусу.
2. Вставьте правую сторону панели в пазы на корпусе, нажмите на правую сторону панели, чтобы она защелкнулась.
3. Затем расположите панель под углом 45° к корпусу и надавите на левую сторону, пока не услышите щелчок.

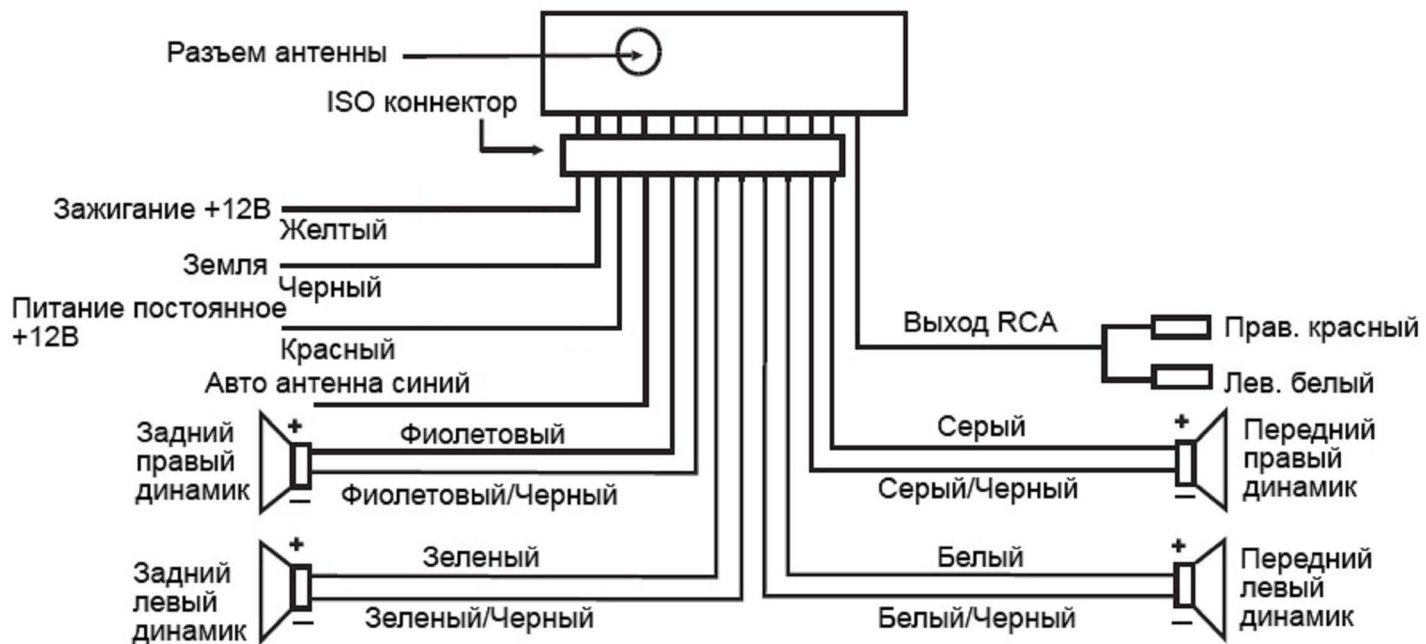


Внимание:

Панель может повредиться из-за внешних факторов: тряски, ударов. После снятия ее с устройства держите панель в защитном футляре и старайтесь не ронять и не наносить физических повреждений. Очень важным элементом является коннектор на задней части панели. Не нажимайте на нее ногтями, ручками, отвертками.

Если панель загрязнилась или запылилась, протрите ее сухой чистой тканью. Для чистки разъема в задней части панели используйте тампон, смоченный изопропиловым спиртом.

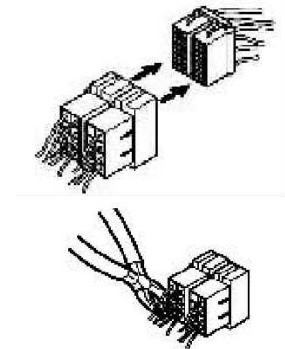
Схема электрических соединений



Не меняйте соединение красного и желтого проводов!!!

Для некоторых моделей необходимо будет изменить соединение проводов питания. Перед установкой свяжитесь с Вашим региональным дилером.

Использование разъема ISO

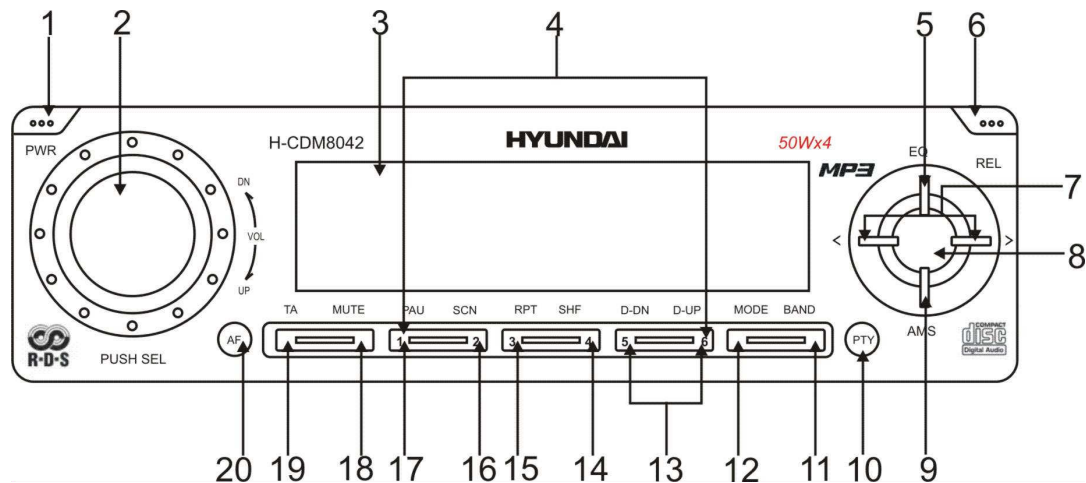


1. Если в Вашем автомобиле есть разъем ISO, произведите подключение, как показано на рисунке.
2. Для подключений без разъемов ISO внимательно проверьте все провода перед подключением, неправильное подключение может привести к повреждениям изделия.
Обрежьте разъем, подключите цветные головки разъема к шнуру питания батареи в соответствии с приведенной таблицей.

Номер	Функция	
	Разъем А	Разъем В
1		Задний правый(+)--Фиолетовый
2		Задний правый(-)--Фиолетовый/Черный
3		Передний правый(+)--Серый
4	Питание 12В (+)/желтый	Передний правый(-)--Серый/Черный
5	Авто антенна /синий	Передний левый(+)--Белый
6		Передний левый((-)--Белый/Черный
7	АСС+/красный	Задний левый(+)--Зеленый
8	Земля/черный	Задний левый(-)--Зеленый/Черный

Органы управления

Передняя панель

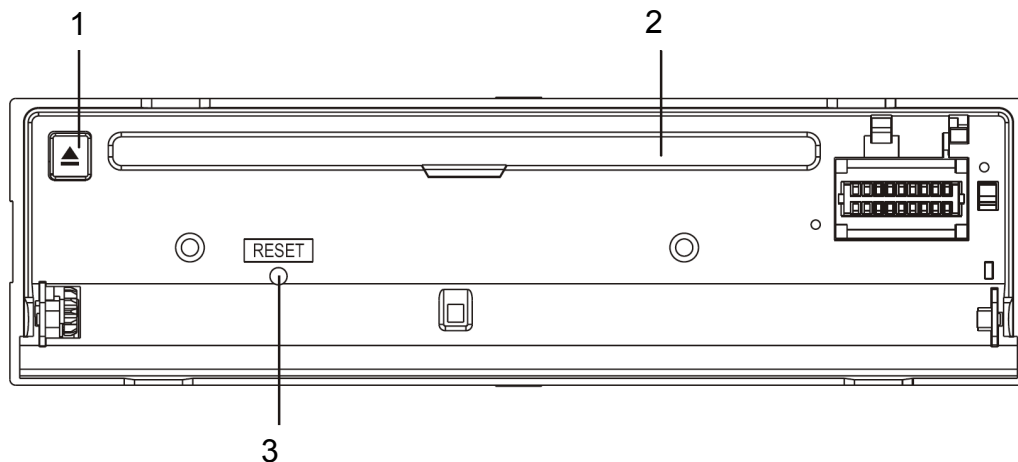


1. Кнопка PWR
Нажмите на кнопку PWR, чтобы включить питание устройства. Нажимайте на кнопку еще раз, чтобы выключить его.
2. Регулятор громкости VOL/ Кнопка SEL
Вращайте регулятор громкости по часовой стрелке, чтобы увеличить уровень громкости, вращайте против часовой стрелки, чтобы уменьшить уровень громкости.
Нажмите на него (кнопка SEL), чтобы открыть меню настроек аудио. Нажимайте на кнопку, чтобы выбрать настройки: VOLUME => BASS => TREBLE => BALANCE => FADER.
Нажмите на кнопку и удерживайте 2 секунды, чтобы войти в режим настроек RDS.
3. Жидкокристаллический дисплей.
4. Кнопки предварительной установки радио станций [1-6]
5. Кнопка эквалайзера

6. Кнопка RELEASE
Нажмите на кнопку, чтобы снять панель.
7. Кнопки поиска трека вперед/назад, поиска радиостанции вперед/назад.
8. Кнопка DISP
9. Кнопка AMS
10. КнопкаPTY
11. Кнопка BAND
Нажмите кнопку BAND для установки диапазона радиоприемника в режиме TUNER.
12. Кнопка MODE
Нажмите на кнопку, чтобы выбрать режим: CD (Диск) => TUNER (Радио).
13. Кнопки D-UP/ D-DN
Нажимайте на кнопки для ручного или автоматического поиска радиостанций.
14. Кнопка SHF
Нажмите на эту кнопку, чтобы начать случайное воспроизведение треков.
15. Кнопка RPT
Используйте эту кнопку для повторного воспроизведения текущего трека.
16. Кнопка сканирования SCAN
17. Кнопка PAUSE
Нажмите на эту кнопку, чтобы поставить воспроизведение на паузу (нажмите еще раз, чтобы продолжить воспроизведение).
18. Кнопка MUTE
Нажмите на кнопку, чтобы выключить звук. Нажмите снова, чтобы вернуть звук на прежний уровень.
19. Кнопка TA
Нажмите на кнопку, чтобы включить функцию TA (дорожных объявлений).
20. Кнопка AF
Нажмите на кнопку, чтобы войти в режим AF (альтернативные частоты).

Обратная сторона передней панели

Нажмите на кнопку RELEASE, чтобы откинуть панель.



1. Кнопка EJECT
2. Слот для диска
3. Кнопка RESET

Внимание: При нажатии на кнопку RESET все настройки и станции будут удалены из памяти устройства. Когда Вы опускаете панель, индикатор статуса панели засветится, при удалении панели индикатор начнет мигать.

Основные операции

Кнопка RESET (сброс)

Нажмите на панели на кнопку RELEASE. Панель откроется. Нажмите на кнопку сброса RESET, расположенную за передней панели.

Эта мера необходима в следующих ситуациях: исходная установка устройства после подключения, никакие кнопки не действуют, символы ошибок появляются на дисплее.

Кнопка включения

Нажмите любую кнопку, кроме REL, чтобы включить устройство. Нажмите и удерживайте кнопку PWR, чтобы выключить питание.

Внимание: Когда Вы выключаете систему или зажигание автомобиля, громкость звука и радио настройки будут сохранена в памяти устройства, и при включении установки вернуться к сохраненным значениям.

Кнопки регулирования звука

Регулировка громкости

Поворачивайте регулятор громкости на панели, чтобы отрегулировать громкость.

Регулировка настроек аудио

Нажимайте на кнопку SEL (регулятор громкости), чтобы выбрать одну из настроек аудио: VOLUME (громкость) => BASS (низкие частоты) => TREBLE (высокие частоты) => BALANCE (баланс левые/ правые динамики) => FADER (баланс задние/ передние динамики).

Регулировка других настроек

Во время прослушивания радио нажмите и удерживайте в течение 2 секунд кнопку SEL, чтобы войти в режим дополнительных настроек RDS. Нажимайте на кнопку SEL (регулятор громкости), чтобы выбрать один из режимов: TA => PI => RETUNE => MASK => BEEP.

А) Режим TA

Вращением кнопки регулировки выберите режим TA ALARM или TA SEEK. **TA SEEK** и **TA ALARM** определяет поведение радиоприемника при включенном режиме TA, если отсутствует передача информации TP радиостанцией, на которую в данный момент настроен радио- приемник.

Режим TA SEEK. Если радиоприемник настраивается на радиостанцию, которая не передает информацию TP (Traffic Program – программы с информацией о дорожном движении) в течение нескольких секунд, радиоприемник перенастраивается на следующую станцию, которая не имеет тот же PI (Program Identification – код идентификации программы), что и предыдущая радиостанция, но передает информацию TP.

Если информация TP исчезает и не передается текущей настроенной радиостанцией в течение некоторого времени, радиоприемник перенастраивается на следующую радиостанцию, имеющую тот же PI. Если радиостанция с тем же PI не найдена в течение одного цикла поиска, радиоприемник перенастраивается на следующую радиостанцию, передающую информацию TP.

Режим TA ALARM. Когда выбран данный режим, функция автоматической перенастройки радиоприемника не работает. Вместо этого если радиоприемник настраивается на радиостанцию, которая не передает информацию TP в течение нескольких секунд, на дисплее на некоторое время появится мигающая надпись "NO TP, TA". Затем это сообщение будет регулярно повторяться на дисплее.

В) Режим PI sound/PI mute

PI SOUND: при выборе этого режима приемник переключится на несколько секунд на новую PI программу, а потом опять вернется к текущей.

PI MUTE: при выборе этого режима приемник замолчит на время приема новой PI станции.

С) Режим Retune L/Retune S

Необходимо выбрать время автоматического поиска в режиме TA или PI SEARCH. Если невозможно прослушать информацию (слабый сигнал, помехи), приемник начинает настраиваться на следующую станцию.

Если та же станция не может получить необходимую информацию, приемник переключится на предыдущую станцию и подождет 4-5 секунд, пока не будет получен PI код.

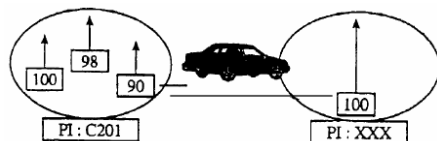
RETUNE L: длительность цикла поиска 90 секунд.

RETUNE S: длительность цикла поиска 60 секунд.

D) Режим MASK

Нажатием кнопки SEL выберите режим MASK DPI или MASK ALL.

Когда для станции, например, C201 включен режим, разрешающий переключение на альтернативную частоту (AF), радиоприемник может переключиться на частоту 100 МГц, которая не является подлинной частотой AF, а занята другой радиостанцией с другим значением PI, но с той же AF.



Если автомобиль перемещается в критической зоне, может появиться эффект частого переключения между двумя разными радиостанциями, потому что может быть принят другой код PI на частоте 100 МГц с PI "XXX".

Радиоприемник CD-ресивера имеет специальную процедуру, направленную на снижение данного неизбежного эффекта, которая, однако, из-за определенных собственных ограничений в некоторых случаях не позволяет решить данную проблему.

Радиоприемник в таком случае прекращает искать альтернативную частоту AF в течение некоторого времени. В этой ситуации радиоприемник будет маскировать сигнал ошибочно принимаемой радиостанции, в зависимости от выбранной опции:

Режим MASK DPI. Маскируется только станция AF, которая передает сигналы RDS, но имеет другой PI (код идентификации программы).

Режим MASK ALL. Маскируется станция AF, которая имеет другой PI или не передает сигналы RDS вовсе.

E) Режим BEEP 2ND/BEEP ALL/BEEP OFF

Нажатием кнопки SEL выберите режим включения/отключения звукового сигнала при нажатии кнопки.

BEEP 2ND: сигнал подается когда одна кнопка нажата очень долго.

БЕЕР ALL: сигнал подается при нажатии любой кнопки.

БЕЕР OFF: сигнал выключен.

Выключение звука

Нажмите на кнопку MUTE, чтобы выключить звук. Нажмите на кнопку еще раз, чтобы включить звук.

Выбор режима работы

Нажмите на кнопку MODE, чтобы выбрать режим работы устройства: CD => TUNER (Радио).

При выборе режима радио TUNER, нажимайте на кнопку BAND, чтобы выбрать диапазон: FM 1, FM 2, FM 3 (OIRT), MW 1, MW 2.

Кнопка DISP

В режим радио нажмите кнопку DISP для просмотра текущего времени, передаваемого по RDS.

В режиме MP3 нажмите кнопку DISP последовательно для просмотра следующей информации:

CLOCK (ЧАСЫ)=> ID3 TAG (ID3 ТЕГИ) => Radio frequency (Частота радиостанции) =>PTY

Эквалайзер

Нажмите кнопку EQ для активации функции DSP. Доступны 5 режимов эквалайзера:

FLAT => CLASSIC => POP M => ROCK M => DSP OFF

Громкость

Нажмите и удерживайте кнопку BAND в течение 2 секунд для активации режима громкости басов. На дисплее отобразится LOUD ON. Нажмите еще раз для отмены режима.

Цифровой тюнер

Внимание: Сервис RDS (Система радио данных) доступен не во всех регионах. Имейте в виду, что если услуга RDS не доступна в Вашем регионе, то данная функция не будет работать.

Выбор диапазона

Нажмите на кнопку PWR, чтобы включить устройство. Нажмите на кнопку MODE, чтобы выбрать режим радио - TUNER.

Нажимайте на кнопку BAND, чтобы выбрать диапазон: FM1, FM2, FM3 (OIRT), MW, LW.

Ручной/ автоматический поиск радиостанций

- Ручной поиск: Нажмите и удерживайте кнопки TUNE/SEEK, чтобы войти в режим ручного поиска. На дисплее отобразится MANUAL.
- Автоматический поиск: Нажмите на кнопки TUNE/SEEK, чтобы начать автоматический поиск. Поиск прекратится при приеме первой станции с сильным сигналом, при этом начнется ее воспроизведение. На дисплее отобразится AUTO.

Программирование радио станций

Вы можете хранить и воспроизводить 30 радиостанций (18FM, 12 AM).

- Чтобы сохранить станцию:
 - Выберите диапазон (если нужно).
 - Выберите станцию при помощи кнопок TUNE/SEEK.
 - Нажмите и удерживайте в течение двух секунд кнопку с номером 1~6, под которым Вы бы хотели сохранить эту станцию.
- Чтобы вызвать станцию:
 - Выберите диапазон (если нужно).
 - Нажмите на кнопку с номером нужной сохраненной станции 1~6.

ИЛИ:

Во время прослушивания радио нажмите на кнопки TUNE/SEEK, чтобы переходить от одной сохраненной станции к другой вперед или назад.

Функция автоматического сохранения станций в памяти

- Прослушивание предустановок: Нажмите на кнопку AMS, чтобы прослушать все сохраненные в текущем диапазоне станции в течение 5 секунд. Во время прослушивания номер каждой станции будет мигать на дисплее. Чтобы остановить прослушивание, снова нажмите на кнопку AMS.
- Автоматическое сохранение: Нажмите и удерживайте AMS более 2 секунд, 6 самых сильных доступных станций будут автоматически сохранены в памяти кнопок 1~6. Чтобы остановить автоматическое сохранение, снова нажмите на кнопку AMS.

Функция AF (Альтернативные частоты)

- Нажмите на кнопку AF, чтобы режим AF стал активным. На дисплее появится надпись AF. В активном режиме AF радио постоянно проверяет силу сигнала альтернативных частот, на которых может транслироваться RDS программа. Во время поиска AF будет мигать. Если сигнал слабый или исчезает, тюнер будет автоматически искать другую частоту с этой программой. По умолчанию режим ON (вкл.)
- Нажмите и удерживайте кнопку AF, чтобы выбрать режим REGION ON или REGION OFF.
 - REGION ON (Включенный региональный режим):
Переключение AF или поиск информационных программ поменяются для станций с тем же кодом идентификации, что и текущая. На дисплее будет гореть надпись REGION ON.
 - REGION OFF (Выключенный региональный режим):
Региональный код формата информационной программы при переключении AF или поиске информационных программ игнорируется.

Функция РТУ (Тип программы)

1. Нажмите на кнопку РТУ, чтобы выбрать программу: Музыка – Речь – Выкл.
2. При помощи 6 кнопок предварительной установки выберите код музыкальной группы.
3. Нажмите на кнопку РТУ второй раз, затем при помощи 6 кнопок предварительной установки выберите код голосовой группы.

Ориентируйтесь на следующую таблицу:

Номер кнопки	Музыкальная группа	Голосовая группа
1	POP, ROCK	NEWS, AFFAIRS, INFO
2	EASY, LIGHT	SPORT, EDUCATE, DRAMA
3	CLASSICS,	CULTURE, SCIENCE, VARIED
4	JAZZ, COUNTRY	WEATHER, FINANCE, CHILDREN
5	NATION, OLDIES	SOCIAL, RELIGION, PHONE IN
6	FOLK	TRAVEL, LEISURE, DOCUMENT

При включенной функции РТУ приемник начинает поиск соответствующего типа программы. И останавливается, когда программа найдена.

Если в течение 2 секунд ни одна программа не была выбрана, приемник настроится на предыдущую программу. Если за один цикл нужный тип программы не найден, на экране отобразится надпись NO РТУ, приемник вернется к обычному приему радио, NO РТУ погаснет.

4. Нажмите на кнопку РТУ еще раз, чтобы выключить функцию РТУ.

Функция TA (поиск программ о дорожном движении)

При быстром нажатии на кнопку TA, режим TA включается (ON) или выключается (OFF).

При включенном режиме на дисплее появляется надпись TA. Начнется автоматический поиск программ дорожного движения. Если программа о дорожном движении найдена не будет, на дисплее появится TP. Если сигнал RDS программы не поступает, надпись TP будет мигать.

Нажмите и удерживайте кнопку TA для включения/выключения режимов TA LOCAL и TA DISTANCE. В режиме TA LOCAL Вы будете получать информацию только о дорожном движении от станции с сильным сигналом.

В режиме TA DISTANCE Вы будете получать всю RDS информацию, при этом воспроизведение диска или радио будет прервано при получении информации.

Воспроизведение файлов с CD

Загрузка диска

1. Включите питание устройства.
2. Нажмите на кнопку RELEASE на панели, чтобы открыть ее.
3. Установите диск в слот маркированной стороной вверх.
4. Нажмите на кнопку EJECT, чтобы вынуть диск.

Воспроизведение/ Пауза

Когда диск вставлен в устройство, начинается автоматическое воспроизведение первого трека на диске. Чтобы обеспечить высокое качество воспроизведения, дождитесь, пока плеер закончит читать диск, а затем начинайте воспроизведение.

Во время воспроизведения нажмите на кнопку PAUSE, режим паузы активируется. Нажмите на кнопку PAUSE еще раз, чтобы продолжить воспроизведение.

Переход к предыдущему или следующему треку

1. Нажмите во время воспроизведения на кнопку D-DN на панели, чтобы начать воспроизведение предыдущего трека.
2. Нажмите во время воспроизведения на кнопку D-UP на панели, воспроизведение начнется со следующего трека.

Функция сканирования Intro

Вы можете последовательно воспроизводить начало каждого трека в течение 10 секунд.

Во время воспроизведения треков нажмите на кнопку SCN, чтобы начать воспроизведение всех треков.

Повтор воспроизведения

Во время воспроизведения треков нажмите на кнопку RPT, чтобы начать повторное воспроизведение всех треков на диске. Нажмите еще раз для отмены.

Случайное воспроизведение

Во время воспроизведения треков нажмите на кнопку RDM, чтобы начать воспроизведение всех треков на диске в случайном порядке. Нажмите еще раз для отмены.

Воспроизведение дисков CD-R

Некоторые диски CD-R, в зависимости от их типа, свойств поверхности, условий записи, могут неправильно воспроизводиться данным изделием.

Воспроизведение аудио дисков, защищенных от записи

Некоторые аудио диски, снабженные защитой от записи и не соответствующие международным стандартам, могут неправильно воспроизводиться данным изделием.

Операции с MP3

ВЫБОР ТРЕКА

В режиме MP3 Вы можете найти нужный трек 4 способами: поиск трека по списку, выбор номера трека с помощью кнопок с цифрами, последовательный выбор (с помощью кнопок TUNE/TRACK), выбор по папке и названию трека.

Выбор по названию:

Нажмите кнопку **AMS** один раз. Вы в меню ввода символа. Вы можете ввести до 16 символом, используя таблицу соответствия кнопок, приведенную ниже.

Таблица ввода символом

AMS	Выбор режима
BAND	Ввод
M1	A, B, C, 1
M2	D, E, F, 2
M3	G, H, I, 3
M4	J, K, L, 4
MS	M, N, 0, 5/Папка вниз
M6	P, Q, R, 6 /Папка вверх
MODE/PTY	S, T, U, 7
TUN DW TA	V, W, X, 8
TUN UP/AF	Y, Z, SPACE, 9
DISPLAY/POWER	_, -, +, 0
SEL	CHAR. SHIFT
VOL UP/DOWN (Encoder)	CHAR. SEL (A.B~ 8.9.0)

Нажмите кнопку **VOL** для подтверждения ввода символа.

Нажмите кнопку **BAND** для начала поиска.

На дисплее отобразятся все треки, содержащие введенный символ (символы). Выберите нужный трек с помощью регулятора. Нажмите кнопку BAND для подтверждения выбора и начала воспроизведения.

С помощью регулятора Вы можете просмотреть все треки в папке и выбрать нужный трек.

Нажмите кнопку BAND для подтверждения выбора и начала воспроизведения.

Повторите описанные выше шаги для поиска другого трека или папки.

Выбор по списку:

Нажмите кнопку MODE 2 раза, на дисплее отобразится список всех папок и треков на диске. Выберите нужный трек или папку с помощью регулятора. Нажмите BAND для подтверждения. Если вы выбрали трек, начнется его воспроизведение.

Если Вы выбрали папку, на дисплее отобразится ("), затем используйте регулятор для выбора трека из выбранной папки.

Нажмите кнопку BAND для подтверждения выбора и начала воспроизведения.

Повторите описанные выше шаги для поиска другого трека или папки.

Примечание: Данное изделие может воспроизводить папки с вложенными в них подпапками.

Вход/Выход из папки

Если на дисплее отображается ("), нажмите кнопку BAND для выхода из папки или возврата на уровень вверх.

Обзор MP3

Замечания по MP3:

- MP3 это краткое обозначение аудио слоя MPEG 3 и относится к стандарту технологии сжатия звука.
- Данное изделие позволяет воспроизводить файлы MP3 на дисках CD-ROM, CD-R или CD-RW.
- Изделие может считывать файлы MP3, записанные в формате, соответствующем ISO 9660. Однако оно не поддерживает данные MP3, записанные методом пакетной записи.
- Изделие не может считывать файлы MP3, которые имеют расширение файла, отличающееся от “.mp3”.
- Если вы воспроизводите не MP3 файл, который имеет расширение “.mp3”, вы можете слышать некоторые шумы.
- В данном руководстве мы рассматриваем файлы, называемые “файлами MP3” и “папкой”, а в технологии PC “дорожкой” и “альбомом” соответственно.
- Максимальное количество уровней директории равно 8, включая корневую директорию. Максимальное количество файлов и папок на диске 256.
- Изделие может не воспроизводить дорожки в последовательном порядке.
- Изделие воспроизводит только аудио треки, если диск содержит как аудио треки, так и файлы MP3.
- При воспроизведении диска 8 килобит или VBR, истекшее время воспроизведения в окне дисплея будет неправильным, а также ознакомительное воспроизведение может не действовать надлежащим образом. VBR: Переменная скорость передачи битов.

Замечание по созданию собственных CD-R или CD-RW, содержащих файлы MP3:

- Для получения высокого качества звука мы рекомендуем преобразовывать файлы MP3 с эталонной частотой 44,1 кГц и фиксированным битрейтом 128 Кбит/сек.
- НЕ сохраняйте более 256 файлов MP3 на диске.
- Для формата, совместимого с ISO 9660, максимально допустимая глубина вложенных папок равняется 8, включая корневую директорию (папку).
- При использовании диска CD-R воспроизведение возможно только для дисков, которые были закончены.
- Убедитесь, что при записи MP3 CD-R или CD-RW были отформатированы как диски данных, а НЕ как аудио диски.
- Вы не должны записывать не-MP3 файлы или ненужные папки вместе с файлами MP3 на диск, в противном случае потребуется много времени, пока изделие начнет воспроизводить файлы MP3.
- На некоторых CD-R или CD-RW данные могут не быть записаны надлежащим образом в зависимости от качества их производства. В этом случае данные могут быть воспроизведены не надлежащим образом. Рекомендуются диски CD-R или CD-RW высокого качества.
- Имя альбома или композиции может содержать до 16 символов. Необходима версия 1.x ID3TAG.
- Помните, что изделие может не воспроизводить треки в том порядке, в котором они записаны на диске.

Система против кражи

Снятие панели

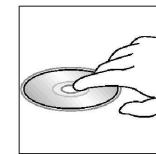
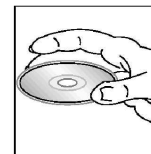
1. Нажмите на кнопку PWR чтобы выключить питание устройства.
2. Нажмите на кнопку RELEASE, чтобы снять панель.
3. Держите панель посередине. Сначала снимите один конец, затем другой.
4. Положите панель в специальный футляр и возьмите его с собой, когда будете покидать машину.

Съем изделия

1. Снимите панель.
2. Вставьте два Т-образных ключа в отверстие лицевой стороны, пока не услышите щелчок.
3. Выньте изделие.

Обращение с дисками

- Грязные, поцарапанные или погнутые диски могут вызвать искажение звука или шумы
- Держите диск только за края (как показано на рисунке). Чтобы обеспечить чистоту, не прикасайтесь к его поверхности.
- Диски должны храниться в их чехлах после использования, чтобы не поцарапать их поверхность.
- Не подвергайте диски действию прямого солнечного света, повышенной влажности, повышенным температурам или действию пыли.
- Продолжительное влияние предельных температур может изогнуть диск (например, пребывание дисков в автомобиле в летнее время).
- Не царапайте и не пишите что-либо на любой стороне диска. Острые пишущие инструменты или чернила, используемые в них, могут повредить поверхность диска.
- **НЕ ПРИКАСАЙТЕСЬ** к стороне, не имеющей маркировки.
- **НЕ ПРИКРЕПЛЯЙТЕ** какую-либо печать, этикетку или лист предохранения данных к любой стороне диска.



Чистка и уход

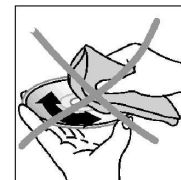
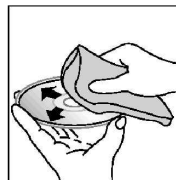
Чистка корпуса

Протирайте мягкой тканью. Если корпус очень загрязнен (не мочите его), используйте ткань, слегка смоченную мыльным раствором, и затем вытрите его сухой тканью.

Чистка дисков

Отпечатки пальцев должны быть тщательно стерты с поверхности диска мягкой тканью. В отличие от обычных пластинок, компакт-диски не имеют канавок для сбора пыли и микроскопических частиц грязи, поэтому осторожно вытирайте их мягкой тканью, чтобы убрать частицы грязи. Вытирайте прямолинейным движением от центра к краю.

Никогда не используйте растворитель, бензин, очиститель пластинок или антистатический аэрозоль для чистки дисков. Такие химические вещества могут повредить его пластиковые поверхности.



Руководство по устранению неисправностей

Неисправность	Причина	Решение
Нет питания	Зажигание машины не включено. Сгорел предохранитель.	Если источник питания подключен надлежащим образом к выключателю машины, установите ключ зажигания в положение “АСС”. Замените предохранитель.
Невозможно загрузить диск	В плеер установлен диск.	Удалите диск из плеера, затем установите новый.
Невозможно считать диск	Диск установлен верхней стороной вниз. Диск загрязнен или имеет дефект. Температура внутри машины очень высокая.	Установите компакт диск стороной с этикеткой вверх. Очистите диск или установите новый. Подождите, пока температура не станет нормальной.
Нет звука	Звук установлен на минимум. Кабель не подключен надлежащим образом.	Отрегулируйте звук до необходимого уровня. Проверьте подключение кабеля.
Не действуют функциональные ключи	Встроенный микрокомпьютер не работает надлежащим образом из-за шумов. Передняя панель не установлена на свое место.	Нажмите кнопку RESET. Повторно установите переднюю панель.
Звук пропадает	Угол установки более 30 градусов. Диск загрязнен или имеет дефект.	Отрегулируйте угол установки, установив его менее 30 градусов. Очистите диск или установите новый.
Радио не работает. Не работает автоматический выбор радиостанции	Антенный кабель не подключен. Сигналы слишком слабы.	Вставьте антенный кабель надежно. Выберите станцию вручную.

Технические характеристики

Общие	
Источник питания:	12 В постоянного тока
Потребляемый ток/Предохранитель:	Максимум 15 А
Максимальная выходная мощность:	50 Вт x 4 канала
Размеры (Д x Ш x В):	178 x 175 x 50 мм
Рабочий диапазон температур:	-10°C - +60°C
Сtereo FM радио	
Частотный диапазон:	65 – 74 / 87.5 - 108.0 МГц
Используемая чувствительность:	10 дБ
Память цифрового тюнера	18 станций
MW радио	
Частотный диапазон:	522-1620 КГц
Память цифрового тюнера	12 станций
Аудио	
Максимальный уровень сигнала на выходе:	2 В RMS (+/-3 дБ)
Частотный диапазон:	20 Гц – 20 КГц
Уровень сигнал-шум (A-vtd):	> 65 дБ
DSP процессор	Classic, Rock, Pop, Flat
Линейный выход	CD макс. 2000 мВ

Технические характеристики могут быть изменены заводом-изготовителем без предварительного уведомления.

Указанные масса и геометрические размеры имеют приблизительные значения.



АИ49